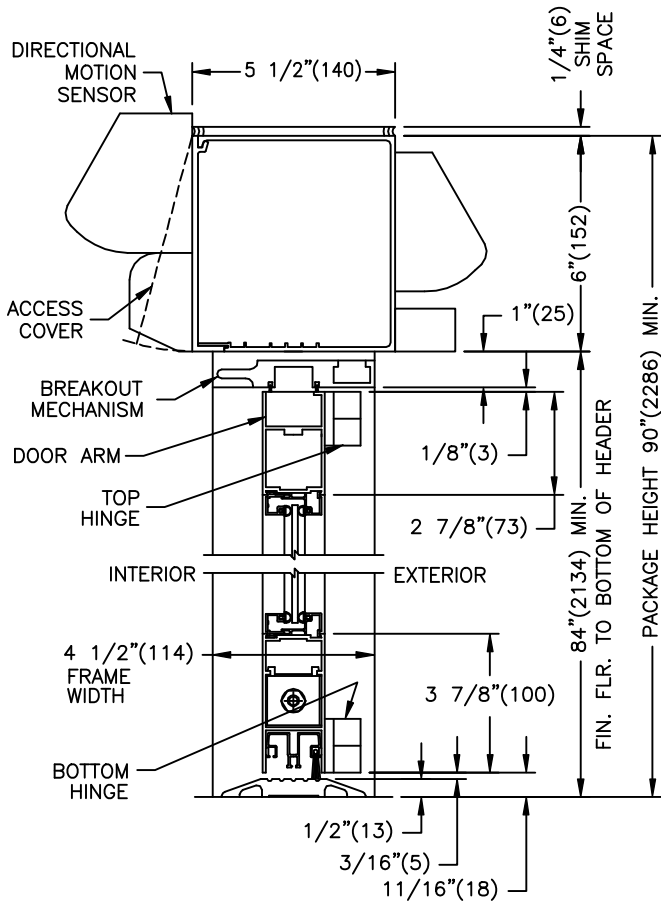


**STANLEY**

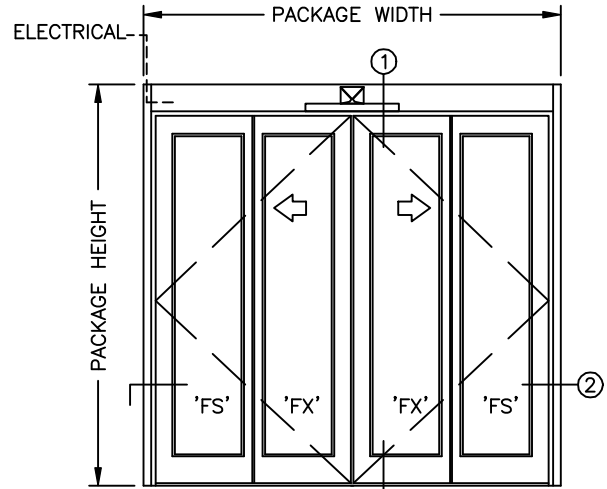
JOB NAME \_\_\_\_\_  
 LOCATION \_\_\_\_\_  
 DOOR NUMBER \_\_\_\_\_

**BI-FOLD  
 SB 600 SERIES**  
 SB 640 4 PANEL  
 FOLD IN BREAK OUT

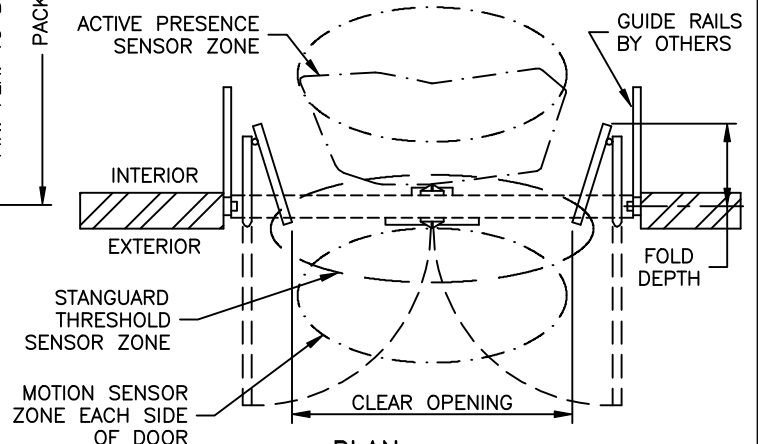
STANLEY DOOR PACKAGES ARE INDIVIDUALLY  
 ENGINEERED TO FIT YOUR JOB REQUIREMENTS



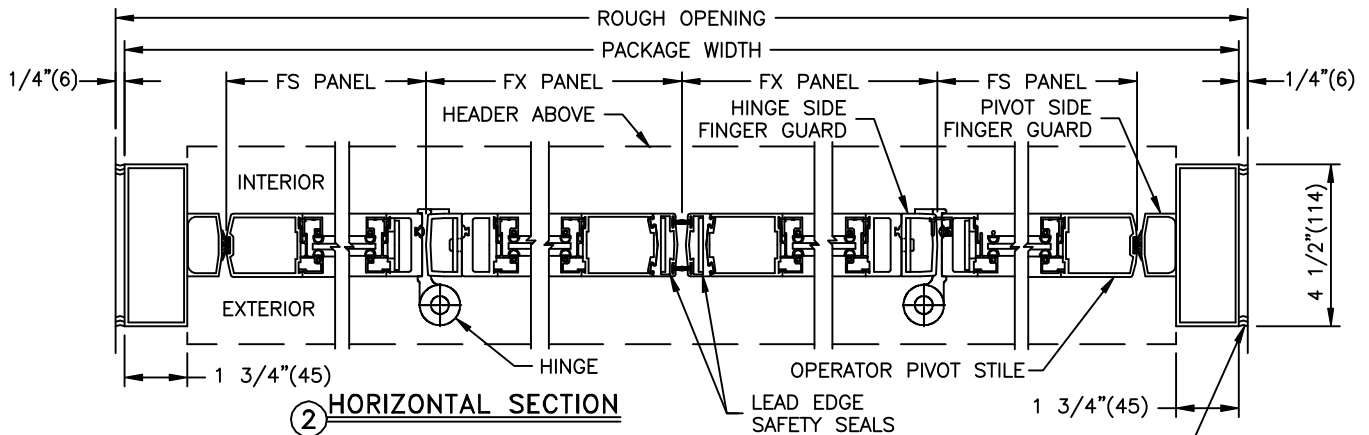
① VERTICAL SECTION



ELEVATION



PLAN



② HORIZONTAL SECTION

**FORMULAS FOR 4 PANEL PACKAGE:**

- CLEAR DOOR OPENING=(0.87)(PACKAGE WIDTH)-16.46"
- FOLD DEPTH=(0.25)(PACKAGE WIDTH)-3.20"
- FULL BREAKOUT OPENING=PACKAGE WIDTH-12.75"
- PANEL WIDTH=(PACKAGE WIDTH-5.5)/4

**NOTES:**

1. DETAILS NOT TO SCALE.
2. ELECTRICAL REQUIREMENTS:  
120VAC, 10AMPS MIN. TO OPERATOR BY ELECTRICAL CONTRACTOR.
3. SEE APPENDIX FOR ADDITIONAL INFORMATION.