

## MAXIMIZE SMALL SPACES

### BIFOLD SB600 AUTOMATIC FOLDING DOOR

The SB600 Series is a retrofit-ready or new construction automatic bifolding door that allows for two-way traffic where there are currently restricted rough openings. Panels fold when retracting which allows for about 70% of the door's package to be free and clear for passage.

#### FEATURES AND BENEFITS:

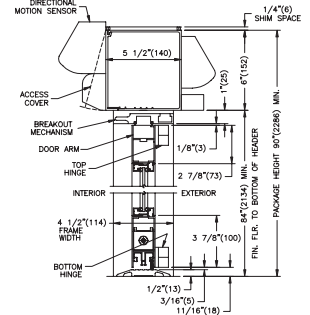
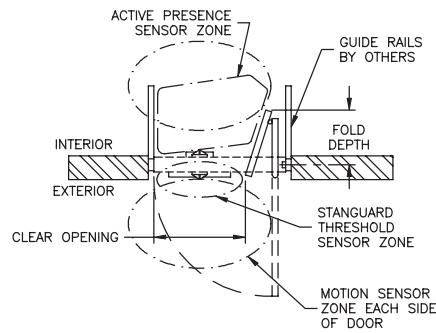
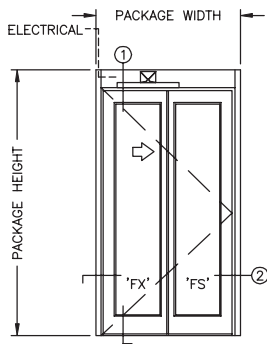
- Two- and Four-panel options can cover openings from 48" to 108" with a standard package height of 90"
- Heavy duty pivots for durability
- Finger guards for safety
- Laminate lock/flush bolts
- Redundant safety sensors and advanced activation sensors
- Door panels fold in or out for the most efficient use of space at entrances or exits

A DIVISION OF:

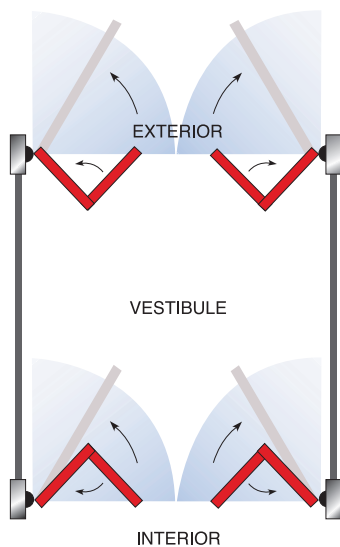
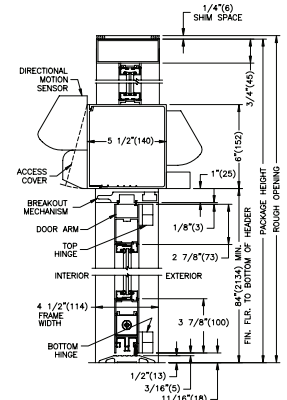
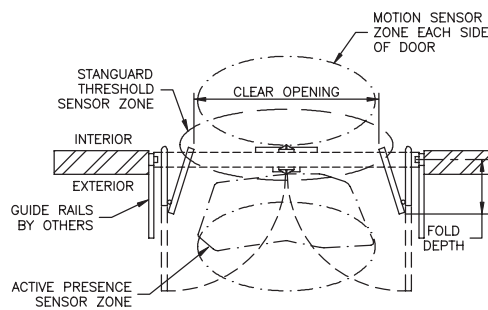
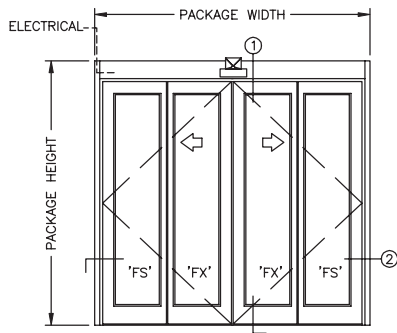
**STANLEY®**  
Security

# BIFOLD SB600 AUTOMATIC FOLDING DOOR

## TWO PANEL



## FOUR PANEL



Our door panels fold in or out for the most efficient use of space at entrances or exits.

## SPECIFICATIONS

Door packages are custom manufactured up to 1/4" increments to fit your job requirements.

**HEIGHT:** 2 Panel: 7'-6" (2.2m) Minimum, 9'-2" (2.8m) Maximum;

4 Panel: 7'-6" (2.2m) Minimum, 8'-6" (2.6m) Maximum

**WIDTH:** 2 Panel: 4' (1.2m) Minimum, 6' (1.8) Maximum;

4 Panel: 6' (1.8m) Minimum, 10 (3m) Maximum

**TYPICAL DOOR PANEL WEIGHT:** Up to 100 Pounds Each (45kg)

**DRIVE SYSTEM:** STANLEY Swing Door Operator

**CONTROLLER:** Solid state, electronic, safety logic

**SENSORS:** 2 SU-100 motion sensors, 1 Stan-Guard® (non-fold side) and 1 infrared presence sensor (fold side) for safety

**BREAKOUT:** All Panels

**POWER REQUIRED:** 120 VAC, 5 amps minimum

**CODE COMPLIANCE:** UL, cUL, ANSI A156.10