



SLIDING AUTOMATIC ENTRANCES: DURA-GLIDE™ 2000, BI-PARTING

1.02 - SINGLE SLIDE WITH OPTIONAL TRANSOM

- **1.02.01 - Single Slide Right Hand**
- **1.02.02 - Single Slide Left Hand**
- **1.02.03 - Single Slide Right Hand with Transom**
- **1.02.04 - Single Slide Left Hand with Transom**
- **1.02.05 - Single Slide Right Hand with Access Control, Surface Applied**
- **1.02.06 - Single Slide Left Hand with Access Control, Surface Applied**
- **1.02.07 - Single Slide Right Hand with Transom and Access Control, Surface Applied**
- **1.02.08 - Single Slide Left Hand with Transom and Access Control, Surface Applied**
- **1.02.09 - Single Slide Right Hand with Access Control, Recessed**
- **1.02.10 - Single Slide Left Hand with Access Control, Recessed**
- **1.02.11 - Single Slide Right Hand with Transom and Access Control, Recess**
- **1.02.12 - Single Slide Left Hand with Transom and Access Control, Recess**
- **1.02.13 - Single Slide Right Hand, Surface Applied**
- **1.02.14 - Single Slide Left Hand, Surface Applied**
- **1.02.15 - Single Slide Right Hand with Access Control, Recessed, Surface Applied**
- **1.02.16 - Single Slide Left Hand with Access Control, Recessed, Surface Applied**

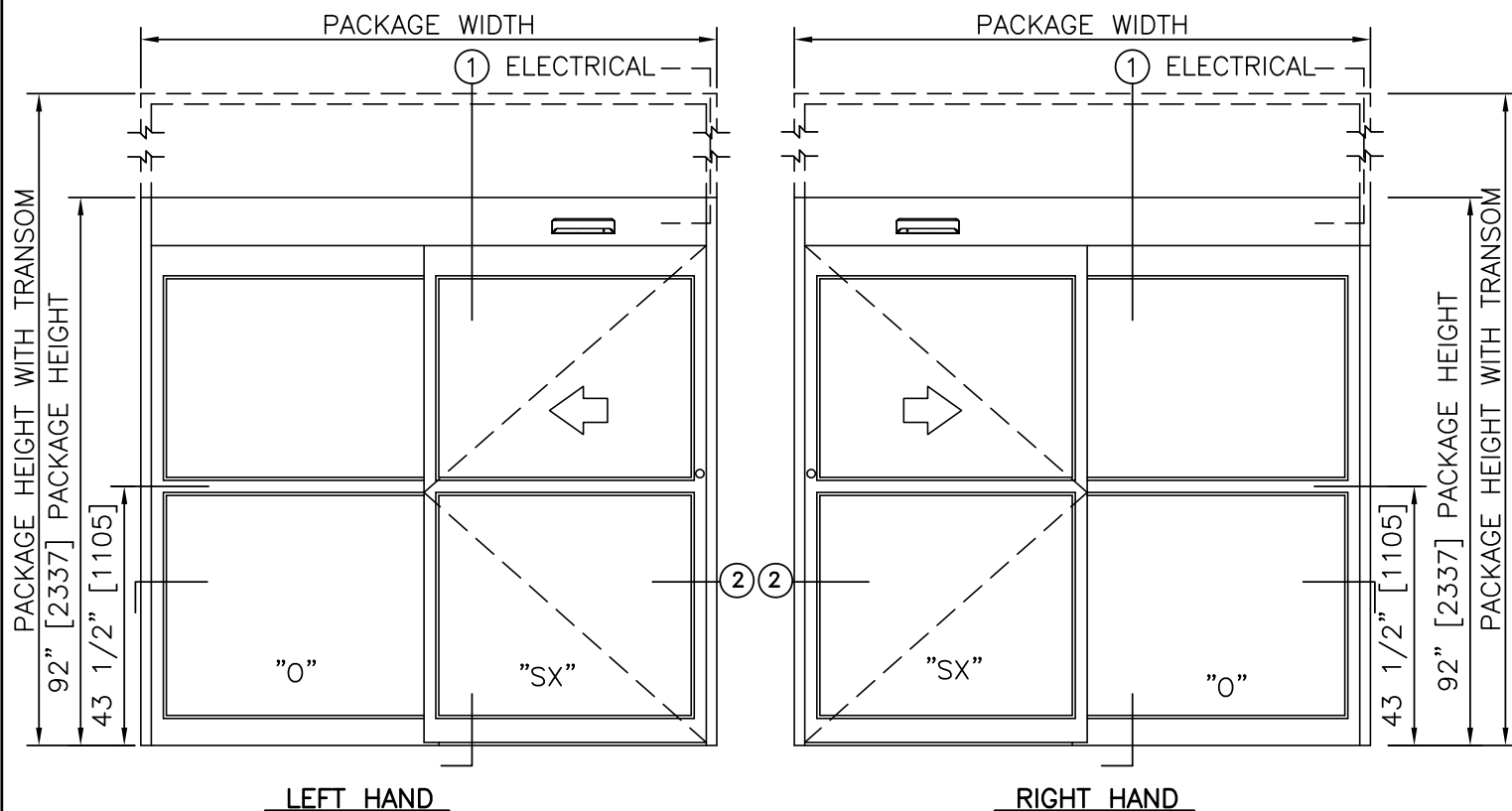
STANLEY
Access Technologies

DURA-GLIDE 2000 SERIES

SINGLE SLIDE WITH OPTIONAL TRANSOM

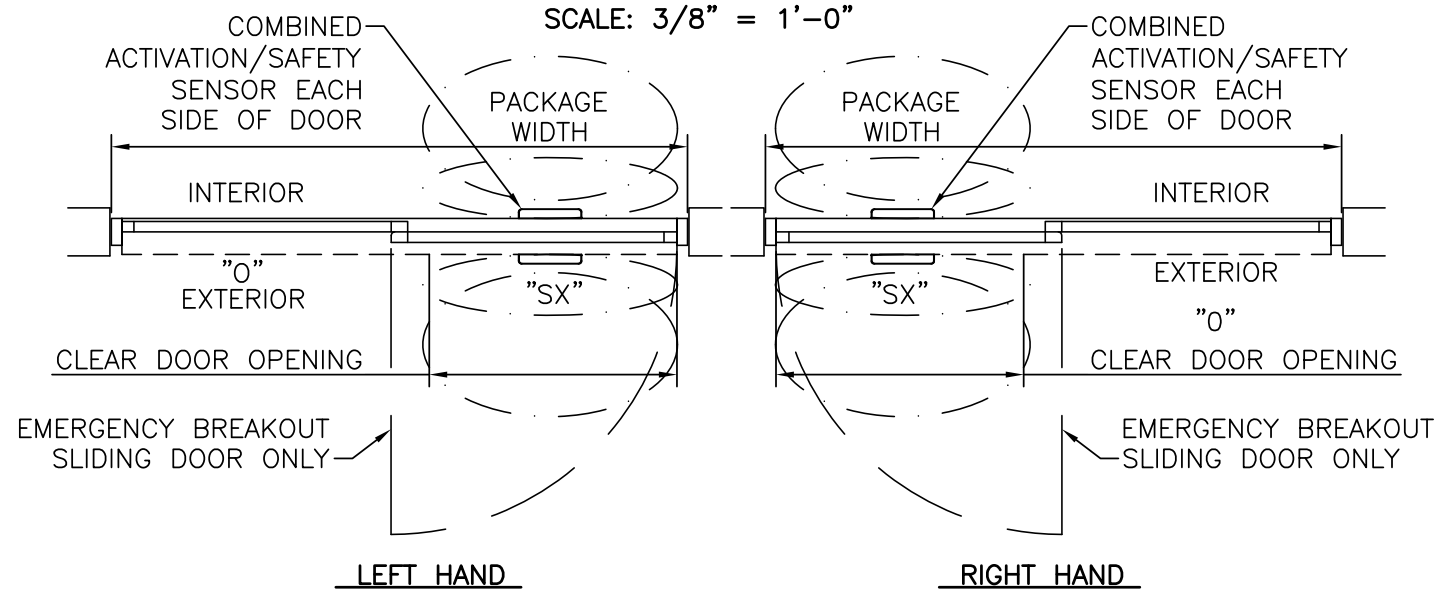
PROJECT INFORMATION

PROJECT NAME:	
LOCATION:	
DOOR NUMBER(S):	
DATE:	SHEET: OF



ELEVATION VIEW

SCALE: 3/8" = 1'-0"

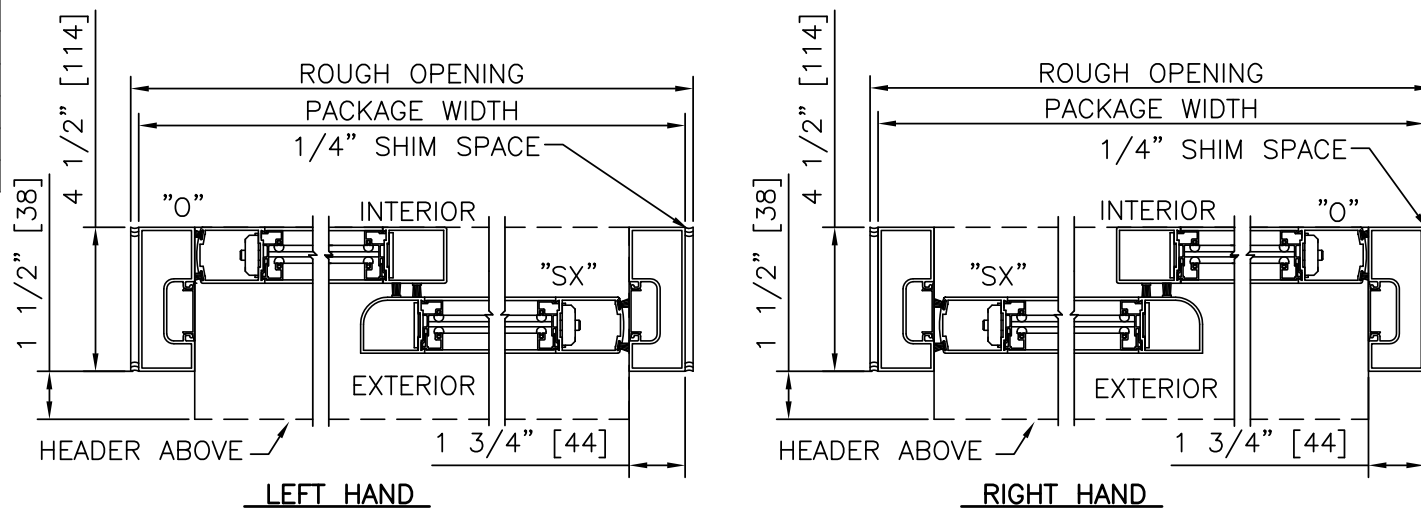


PLAN VIEW

SCALE: 3/8" = 1'-0"

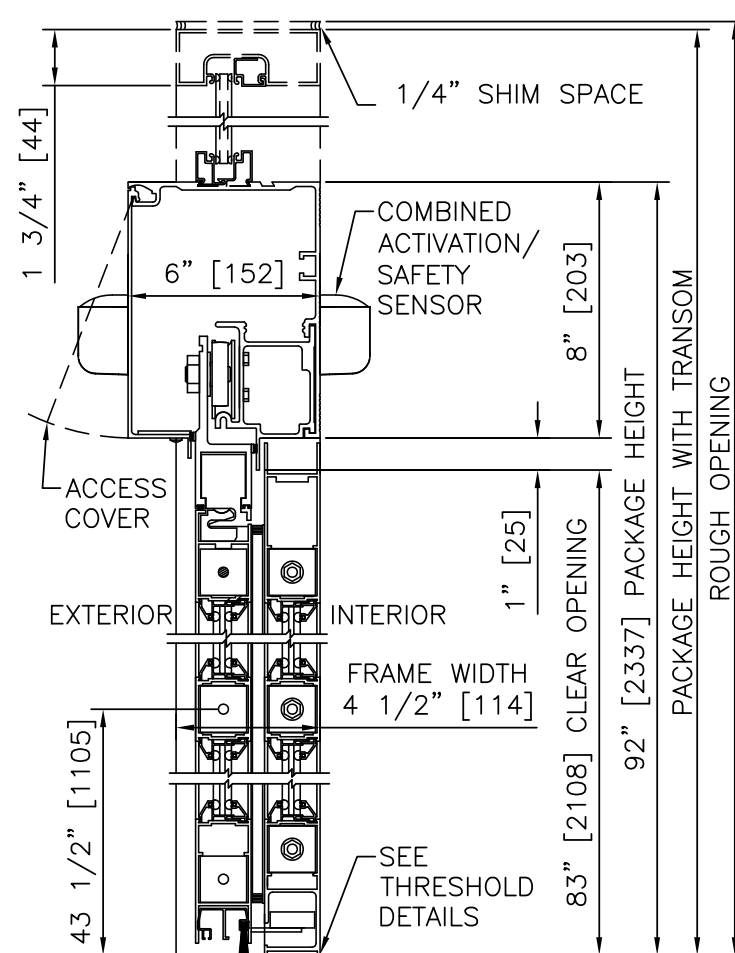
NOTES

- ELECTRICAL REQUIREMENTS: 120 VAC, 5 AMP MIN TO POWER OPERATOR BY ELECTRICAL CONTRACTOR.
- ROUGH OPENING SHALL PROVIDE 1/4"[6] SHIM SPACE ON SIDES AND TOP OF PACKAGE.
- LIMITS OF ACTIVATION AND SAFETY ZONES ARE FOR REFERENCE ONLY; SEE ANSI/BHMA A156.10 FOR DETAILED REQUIREMENTS.
- STANDARD LOCKING IS 1-POINT, 2-POINT, 3-POINT AND ACCESS CONTROL SYSTEMS AVAILABLE. SEE SHEET 1.60.
- STANDARD GLAZING STOPS FOR SLIDING AND FIXED PANELS ARE 1/4"[6]; 5/8"[16] AND 1"[25] AVAILABLE.
- STANDARD JAMB TUBES SHOWN; 6"[152] AVAILABLE.
- STANDARD STILES, BOTTOM RAILS AND MUNTINS SHOWN; MEDIUM STILES, BOTTOM RAILS TO 12"[305], AND 4 1/4"[108] MUNTINS AVAILABLE.
- SEE SPECIFICATIONS FOR ADDITIONAL INFORMATION.



HORIZONTAL SECTION

SCALE: 2" = 1'-0"



VERTICAL SECTION

SCALE: 2" = 1'-0"

PRODUCT OPTIONS

- TRANSOM
 - YES
 - VERTICALS 1 2 3
- FINISH
 - ANODIZED CLEAR CL2
 - ANODIZED DK BRONZE
 - CUSTOM
- LOCKING
 - 1-POINT
 - ACCESS CONTROL (PANIC)
 - 2-POINT
 - 3-POINT
- STILES
 - NARROW
 - MEDIUM
- BOTTOM RAILS
 - STANDARD 4"
 - OPTIONAL 6" 8" 10" 12"
- THRESHOLDS
 - SQ/BVL (EXT)
 - DBL BVL
 - SQ/BVL (INT)
 - RECESSED
- ACTIVATION/SAFETY
 - 2 COMBINED ACTIVATION/SAFETY SENSORS
- OTHER OPTIONS
 - ROTARY CTRL SWITCH
 - UNINTERRUPTIBLE POWER SUPPLY
 - FLY OPEN BOX
 - WIND DAMPERS
 - PANEL CLOSERS
 - ALARM CONTACTS
 - CLEAN ROOM (CL 1)
 - KEYED

SINGLE SLIDE FORMULAS - NARROW STILE

PACKAGE WIDTH = 2 X CLEAR DOOR OPENING + 13.4"
 CLEAR DOOR OPENING = 1/2 PACKAGE WIDTH - 6.7"
 EMERGENCY BREAKOUT WIDTH = CLEAR DOOR OPENING + 3.8"
 DOOR PANEL WIDTH = 1/2 PACKAGE WIDTH - 0.5"

SINGLE SLIDE FORMULAS - MEDIUM STILE

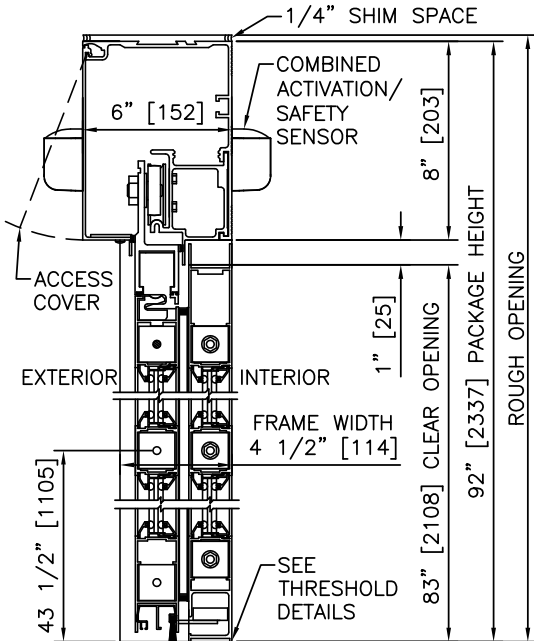
PACKAGE WIDTH = 2 X CLEAR DOOR OPENING + 17.8"
 CLEAR DOOR OPENING = 1/2 PACKAGE WIDTH - 8.9"
 EMERGENCY BREAKOUT WIDTH = CLEAR DOOR OPENING + 5.1"
 DOOR PANEL WIDTH = 1/2 PACKAGE WIDTH + 0.2"

TYPICAL PACKAGE DIMENSIONS (NARROW STILE)			
PACKAGE WIDTH	NOMINAL CLEAR DOOR OPENING	DOOR PANEL NOMINAL WIDTH	EMERGENCY BREAKOUT NOM. WIDTH
84"	35.3"	41.5"	39.0"
96"	41.3"	47.5"	45.0"
108"	47.3"	53.5"	51.0"

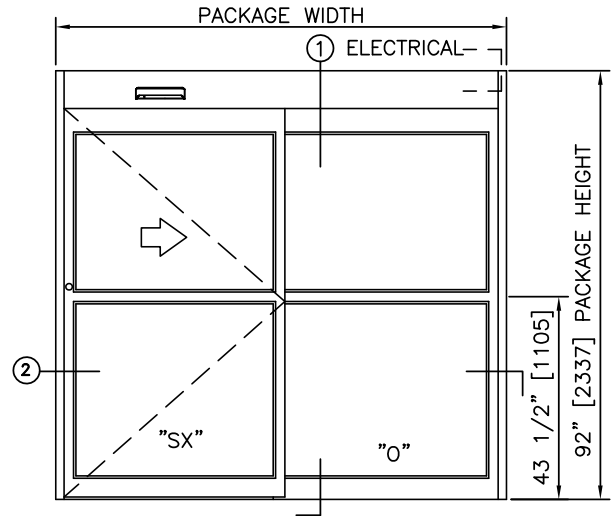
DURA-GLIDE 2000 SERIES

STANLEY
Access Technologies

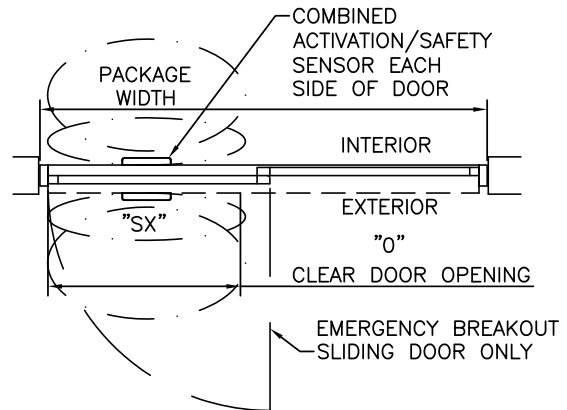
PROJECT NAME: _____
 LOCATION: _____
 DOOR NUMBER(S): _____
 DATE: _____ SHEET: OF _____



1 VERTICAL SECTION



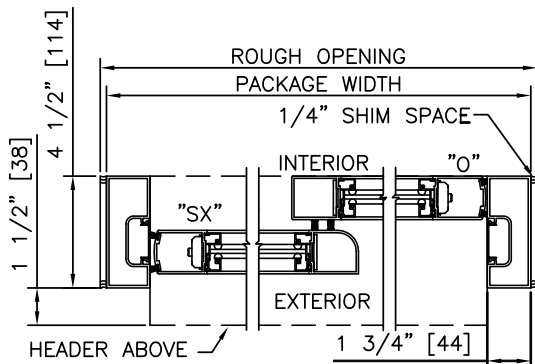
ELEVATION



PLAN

NOTES

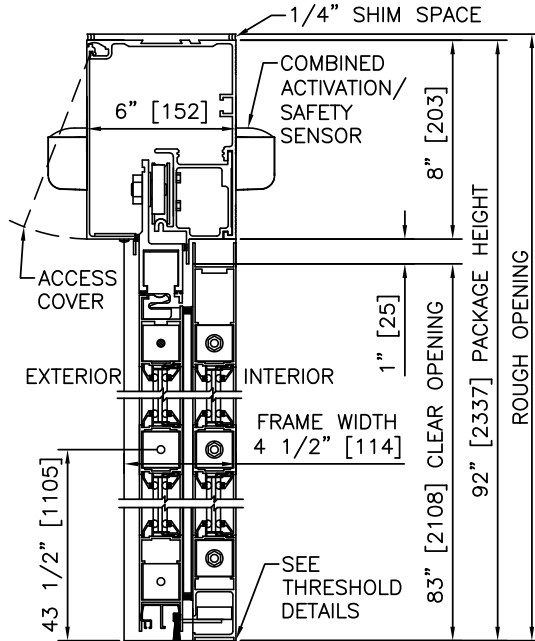
1. ELECTRICAL REQUIREMENTS: 120 VAC, 5 AMP MIN TO POWER OPERATOR BY ELECTRICAL CONTRACTOR.
2. ROUGH OPENING SHALL PROVIDE 1/4"[6] SHIM SPACE ON SIDES AND TOP OF PACKAGE.
3. LIMITS OF ACTIVATION AND SAFETY ZONES ARE FOR REFERENCE ONLY; SEE ANSI/BHMA A156.10 FOR DETAILED REQUIREMENTS.
4. SEE SPECIFICATIONS FOR ADDITIONAL INFORMATION.



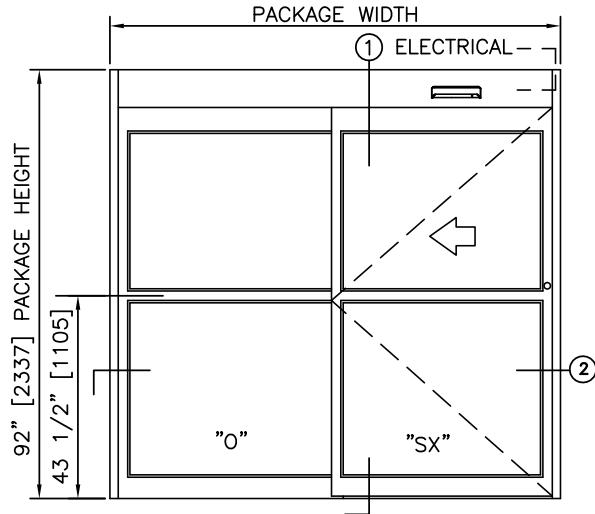
2 HORIZONTAL SECTION

TYPICAL PACKAGE DIMENSIONS (NARROW STILE)

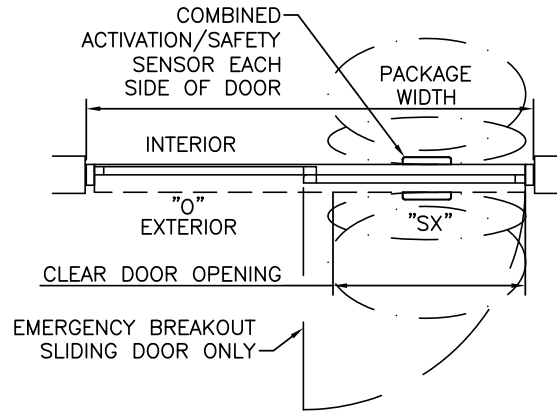
PACKAGE WIDTH	NOMINAL CLEAR DOOR OPENING	DOOR PANEL NOMINAL WIDTH	EMERGENCY BREAKOUT NOM. WIDTH
84"	35.3"	41.5"	39.0"
96"	41.3"	47.5"	45.0"
108"	47.3"	53.5"	51.0"



① VERTICAL SECTION



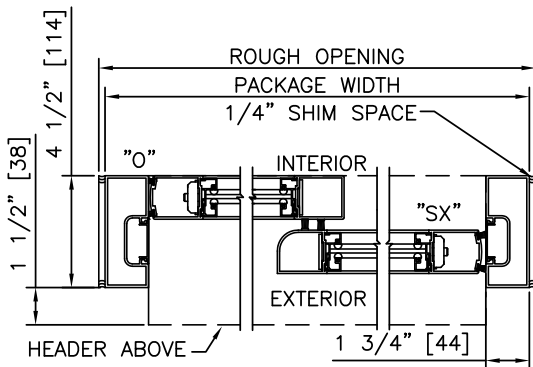
ELEVATION



PLAN

NOTES

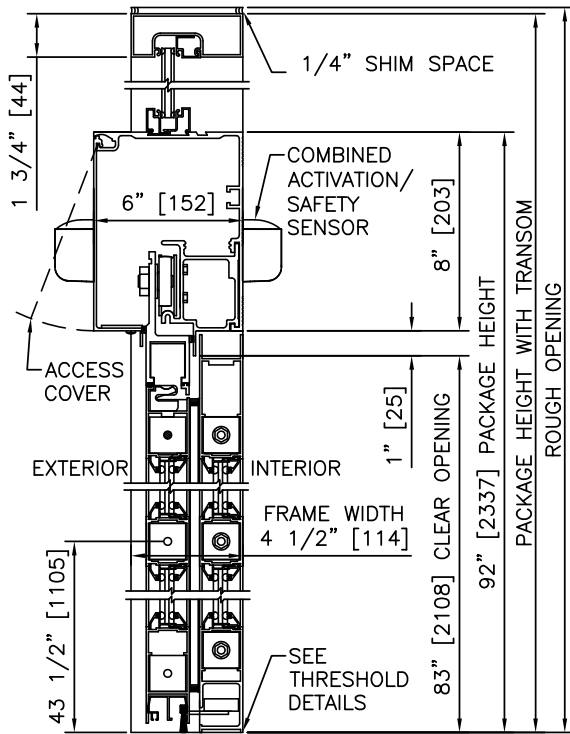
1. ELECTRICAL REQUIREMENTS: 120 VAC, 5 AMP MIN TO POWER OPERATOR BY ELECTRICAL CONTRACTOR.
2. ROUGH OPENING SHALL PROVIDE 1/4" [6] SHIM SPACE ON SIDES AND TOP OF PACKAGE.
3. LIMITS OF ACTIVATION AND SAFETY ZONES ARE FOR REFERENCE ONLY; SEE ANSI/BHMA A156.10 FOR DETAILED REQUIREMENTS.
4. SEE SPECIFICATIONS FOR ADDITIONAL INFORMATION.



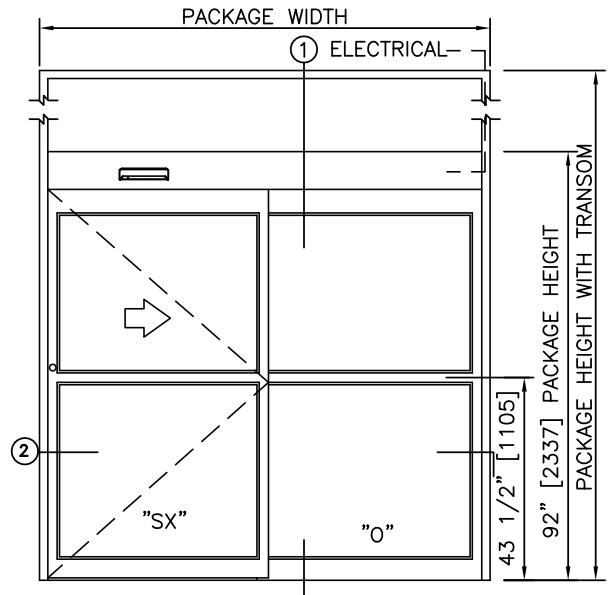
② HORIZONTAL SECTION

TYPICAL PACKAGE DIMENSIONS (NARROW STILE)

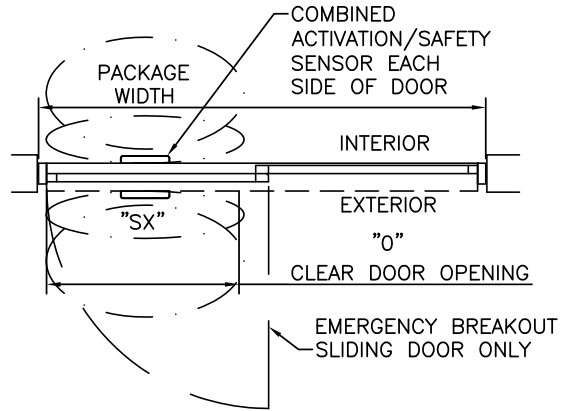
PACKAGE WIDTH	NOMINAL CLEAR DOOR OPENING	DOOR PANEL NOMINAL WIDTH	EMERGENCY BREAKOUT NOM. WIDTH
84"	35.3"	41.5"	39.0"
96"	41.3"	47.5"	45.0"
108"	47.3"	53.5"	51.0"



1 VERTICAL SECTION



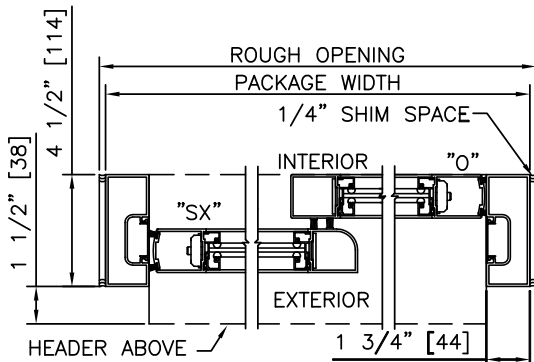
ELEVATION



PLAN

NOTES

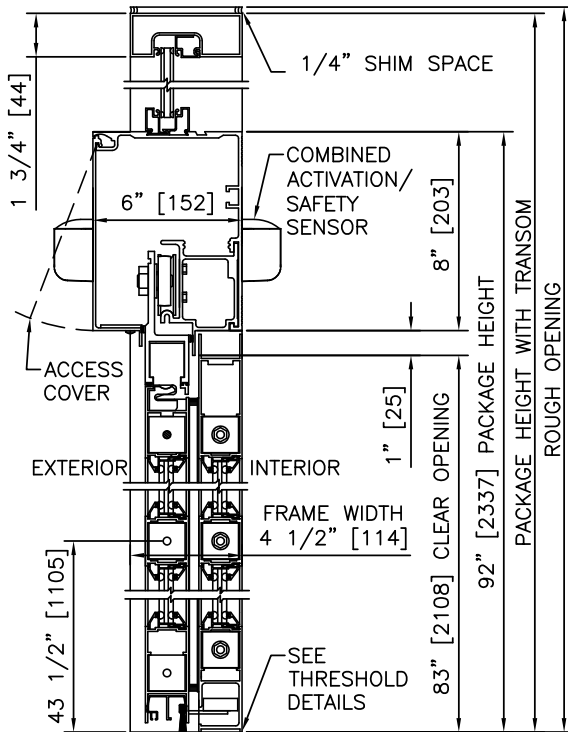
1. ELECTRICAL REQUIREMENTS: 120 VAC, 5 AMP MIN TO POWER OPERATOR BY ELECTRICAL CONTRACTOR.
2. ROUGH OPENING SHALL PROVIDE 1/4"[6] SHIM SPACE ON SIDES AND TOP OF PACKAGE.
3. LIMITS OF ACTIVATION AND SAFETY ZONES ARE FOR REFERENCE ONLY; SEE ANSI/BHMA A156.10 FOR DETAILED REQUIREMENTS.
4. SEE SPECIFICATIONS FOR ADDITIONAL INFORMATION.



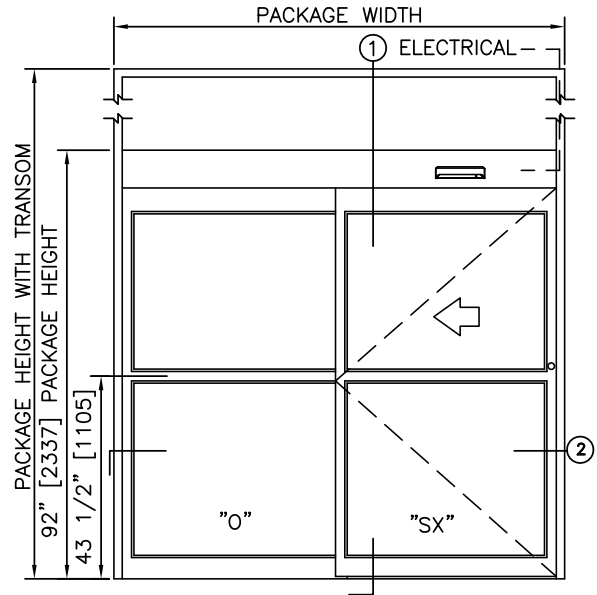
2 HORIZONTAL SECTION

TYPICAL PACKAGE DIMENSIONS (NARROW STILE)

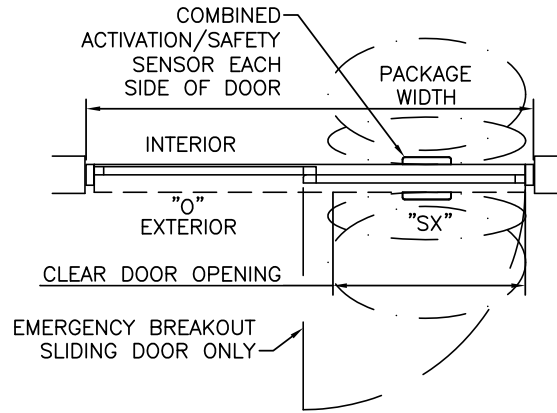
PACKAGE WIDTH	NOMINAL CLEAR DOOR OPENING	DOOR PANEL NOMINAL WIDTH	EMERGENCY BREAKOUT NOM. WIDTH
84"	35.3"	41.5"	39.0"
96"	41.3"	47.5"	45.0"
108"	47.3"	53.5"	51.0"



① VERTICAL SECTION



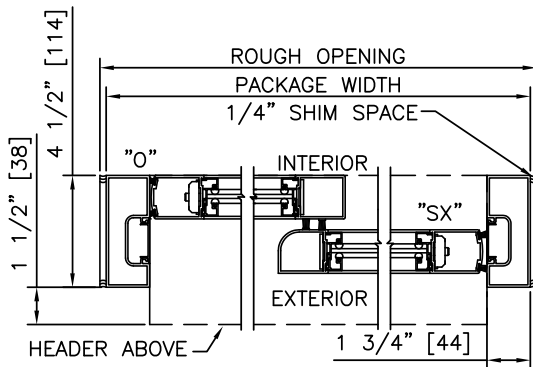
ELEVATION



PLAN

NOTES

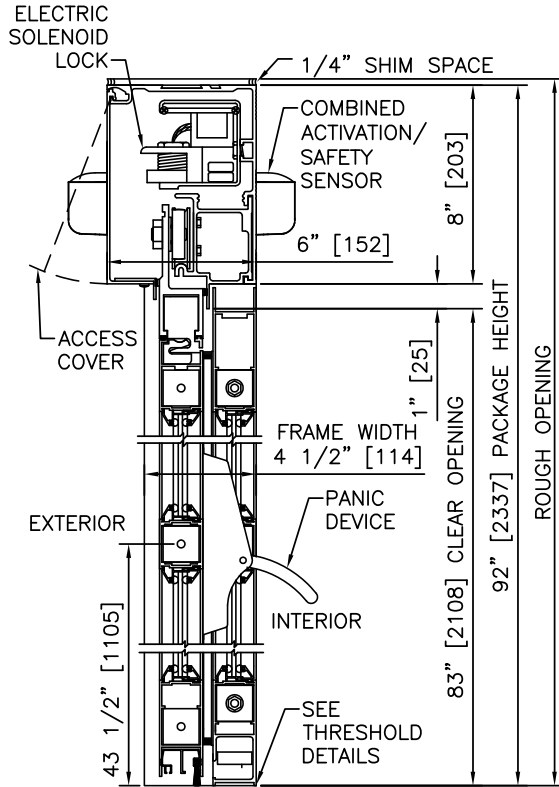
1. ELECTRICAL REQUIREMENTS: 120 VAC, 5 AMP MIN TO POWER OPERATOR BY ELECTRICAL CONTRACTOR.
2. ROUGH OPENING SHALL PROVIDE 1/4"[6] SHIM SPACE ON SIDES AND TOP OF PACKAGE.
3. LIMITS OF ACTIVATION AND SAFETY ZONES ARE FOR REFERENCE ONLY; SEE ANSI/BHMA A156.10 FOR DETAILED REQUIREMENTS.
4. SEE SPECIFICATIONS FOR ADDITIONAL INFORMATION.



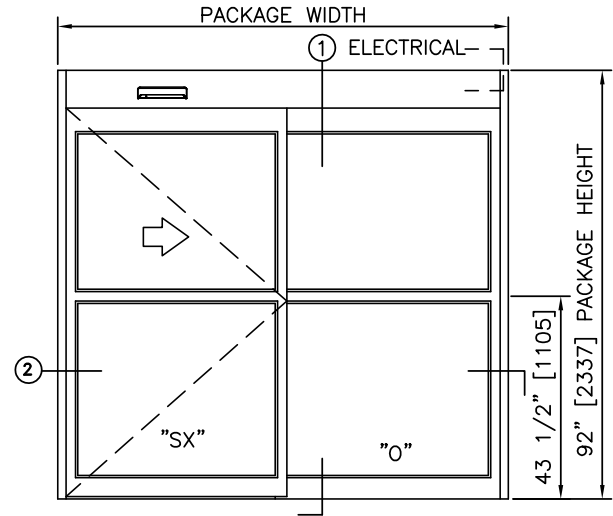
② HORIZONTAL SECTION

TYPICAL PACKAGE DIMENSIONS (NARROW STILE)

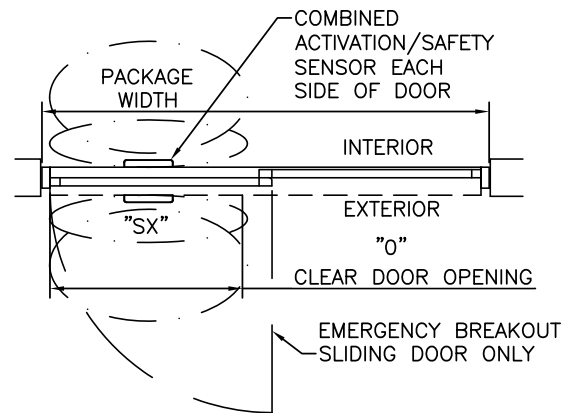
PACKAGE WIDTH	NOMINAL CLEAR DOOR OPENING	DOOR PANEL NOMINAL WIDTH	EMERGENCY BREAKOUT NOM. WIDTH
84"	35.3"	41.5"	39.0"
96"	41.3"	47.5"	45.0"
108"	47.3"	53.5"	51.0"



1 VERTICAL SECTION



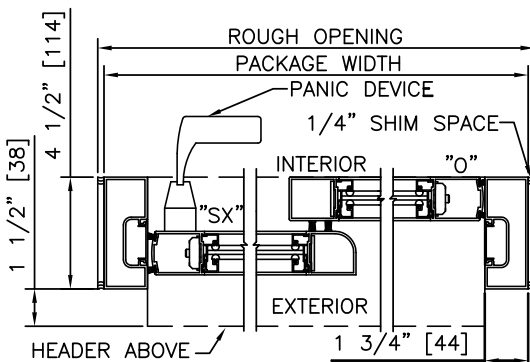
ELEVATION



PLAN

NOTES

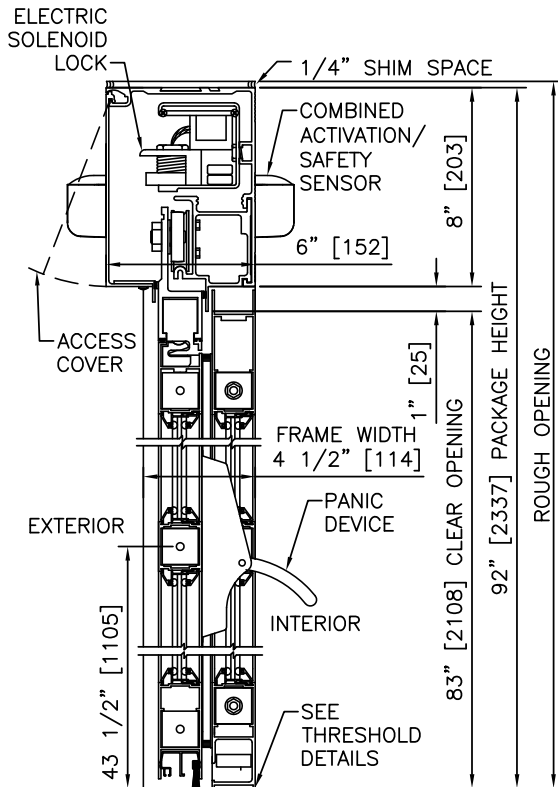
1. ELECTRICAL REQUIREMENTS: BY ELECTRICAL CONTRACTOR
120 VAC, 5 AMP MIN TO POWER OPERATOR
CONTROL CIRCUIT FROM SECURE ACTIVATION TO OPERATOR
2. ROUGH OPENING SHALL PROVIDE 1/4"[6] SHIM SPACE ON SIDES AND TOP OF PACKAGE.
3. LIMITS OF ACTIVATION AND SAFETY ZONES ARE FOR REFERENCE ONLY; SEE ANSI/BHMA A156.10 FOR DETAILED REQUIREMENTS.
4. SEE SPECIFICATIONS FOR ADDITIONAL INFORMATION.



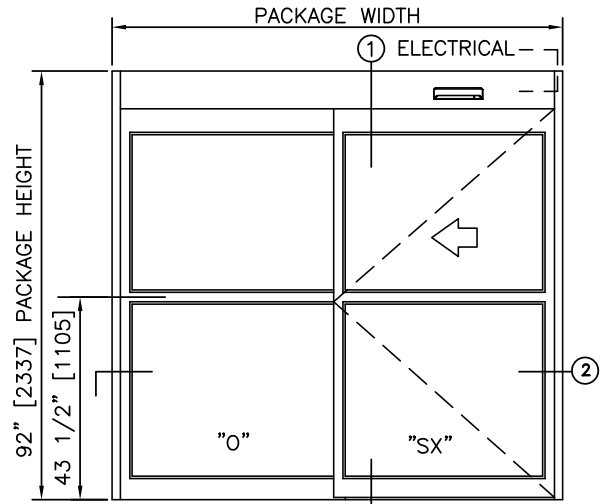
2 HORIZONTAL SECTION

TYPICAL PACKAGE DIMENSIONS (NARROW STILE)

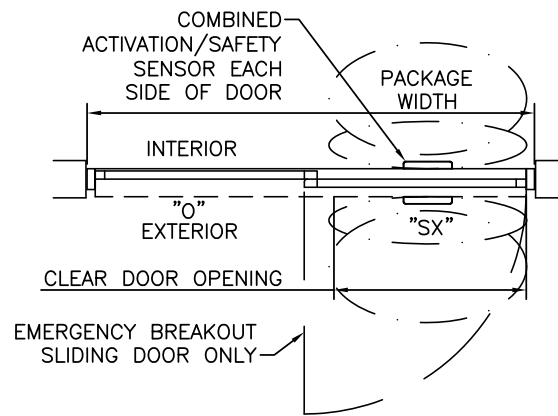
PACKAGE WIDTH	NOMINAL CLEAR DOOR OPENING	DOOR PANEL NOMINAL WIDTH	EMERGENCY BREAKOUT NOM. WIDTH
84"	35.3"	41.5"	39.0"
96"	41.3"	47.5"	45.0"
108"	47.3"	53.5"	51.0"



1 VERTICAL SECTION



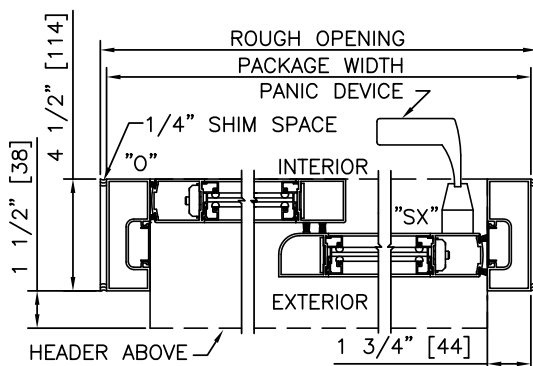
ELEVATION



PLAN

NOTES

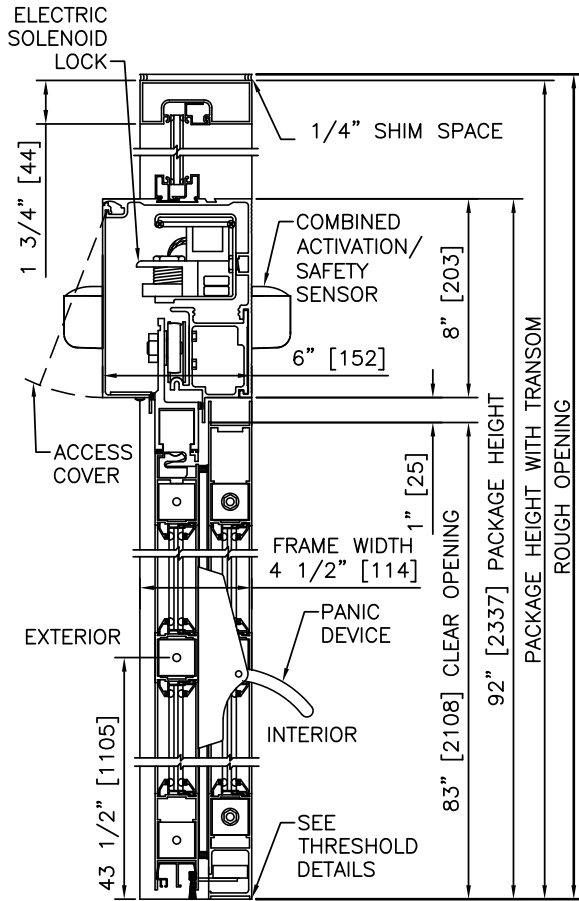
1. ELECTRICAL REQUIREMENTS: BY ELECTRICAL CONTRACTOR
120 VAC, 5 AMP MIN TO POWER OPERATOR
CONTROL CIRCUIT FROM SECURE ACTIVATION TO OPERATOR
2. ROUGH OPENING SHALL PROVIDE 1/4"[6] SHIM SPACE ON SIDES AND TOP OF PACKAGE.
3. LIMITS OF ACTIVATION AND SAFETY ZONES ARE FOR REFERENCE ONLY; SEE ANSI/BHMA A156.10 FOR DETAILED REQUIREMENTS.
4. SEE SPECIFICATIONS FOR ADDITIONAL INFORMATION.



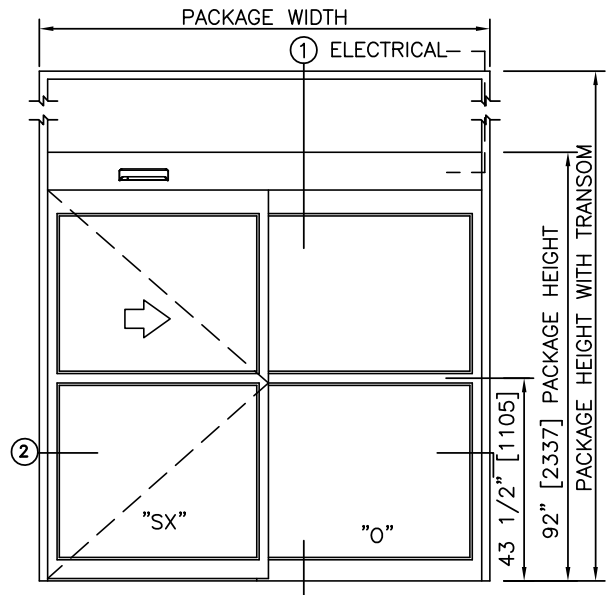
2 HORIZONTAL SECTION

TYPICAL PACKAGE DIMENSIONS (NARROW STILE)

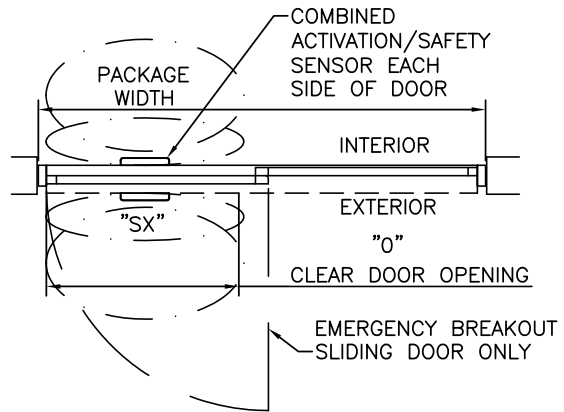
PACKAGE WIDTH	NOMINAL CLEAR DOOR OPENING	DOOR PANEL NOMINAL WIDTH	EMERGENCY BREAKOUT NOM. WIDTH
84"	35.3"	41.5"	39.0"
96"	41.3"	47.5"	45.0"
108"	47.3"	53.5"	51.0"



1 VERTICAL SECTION



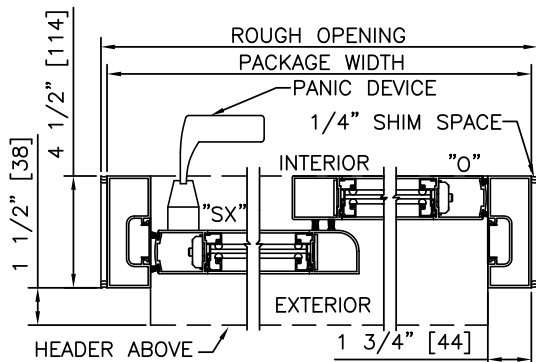
ELEVATION



PLAN

NOTES

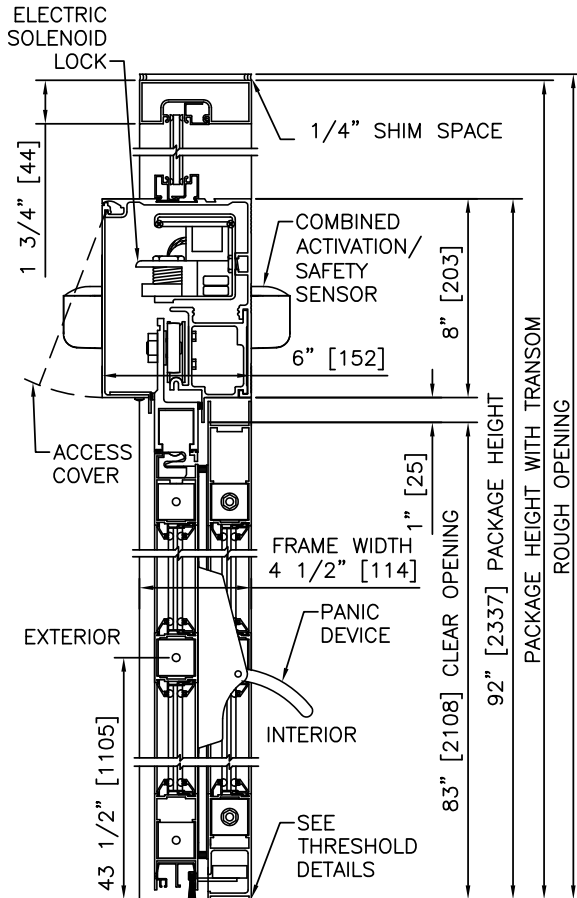
1. ELECTRICAL REQUIREMENTS: BY ELECTRICAL CONTRACTOR
120 VAC, 5 AMP MIN TO POWER OPERATOR
CONTROL CIRCUIT FROM SECURE ACTIVATION TO OPERATOR
2. ROUGH OPENING SHALL PROVIDE 1/4"[6] SHIM SPACE ON SIDES AND TOP OF PACKAGE.
3. LIMITS OF ACTIVATION AND SAFETY ZONES ARE FOR REFERENCE ONLY; SEE ANSI/BHMA A156.10 FOR DETAILED REQUIREMENTS.
4. SEE SPECIFICATIONS FOR ADDITIONAL INFORMATION.



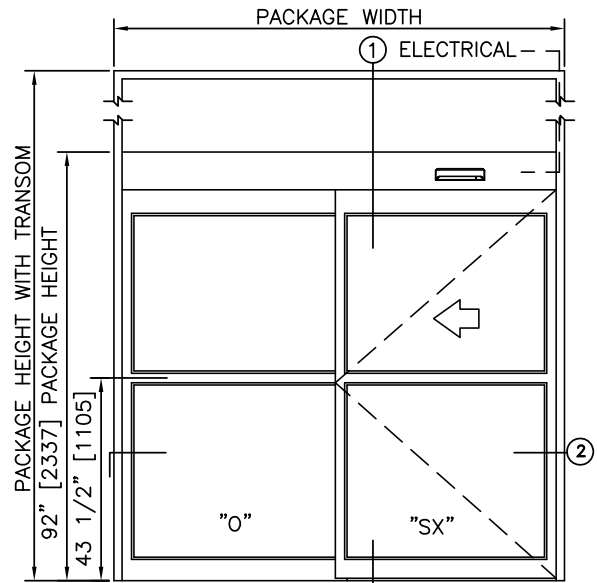
2 HORIZONTAL SECTION

TYPICAL PACKAGE DIMENSIONS (NARROW STILE)

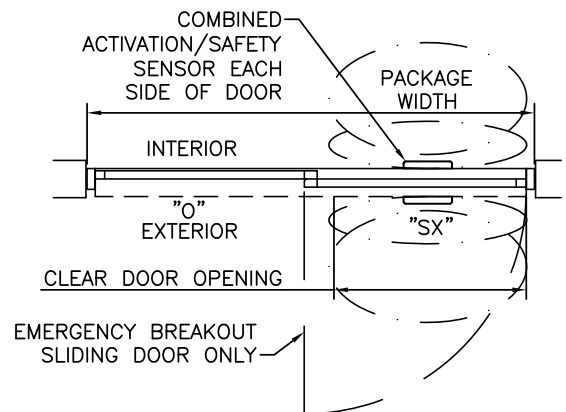
PACKAGE WIDTH	NOMINAL CLEAR DOOR OPENING	DOOR PANEL NOMINAL WIDTH	EMERGENCY BREAKOUT NOM. WIDTH
84"	35.3"	41.5"	39.0"
96"	41.3"	47.5"	45.0"
108"	47.3"	53.5"	51.0"



1 VERTICAL SECTION



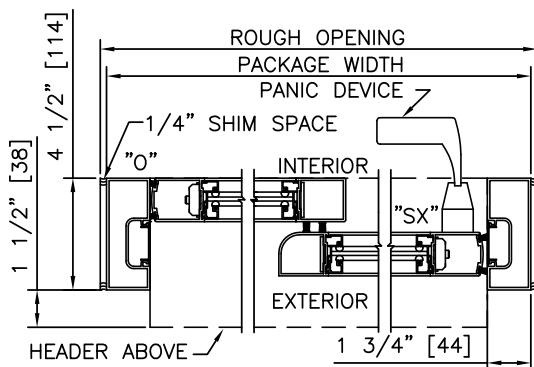
ELEVATION



PLAN

NOTES

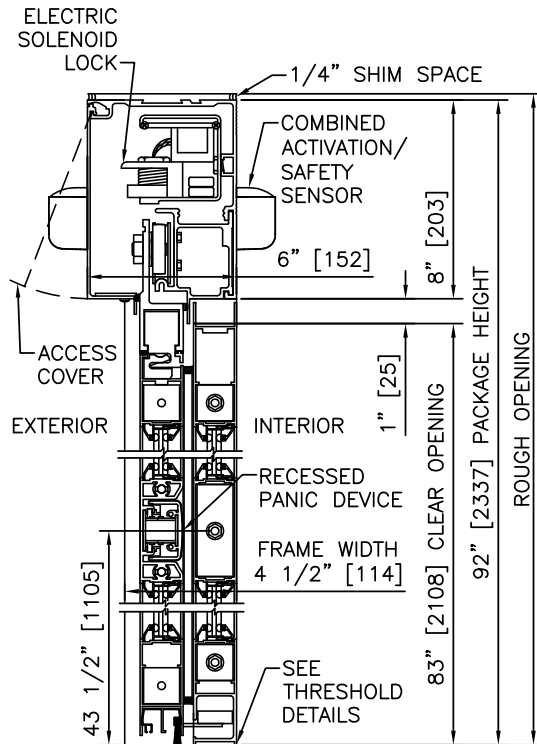
1. ELECTRICAL REQUIREMENTS: BY ELECTRICAL CONTRACTOR 120 VAC, 5 AMP MIN TO POWER OPERATOR CONTROL CIRCUIT FROM SECURE ACTIVATION TO OPERATOR
2. ROUGH OPENING SHALL PROVIDE 1/4"[6] SHIM SPACE ON SIDES AND TOP OF PACKAGE.
3. LIMITS OF ACTIVATION AND SAFETY ZONES ARE FOR REFERENCE ONLY; SEE ANSI/BHMA A156.10 FOR DETAILED REQUIREMENTS.
4. SEE SPECIFICATIONS FOR ADDITIONAL INFORMATION.



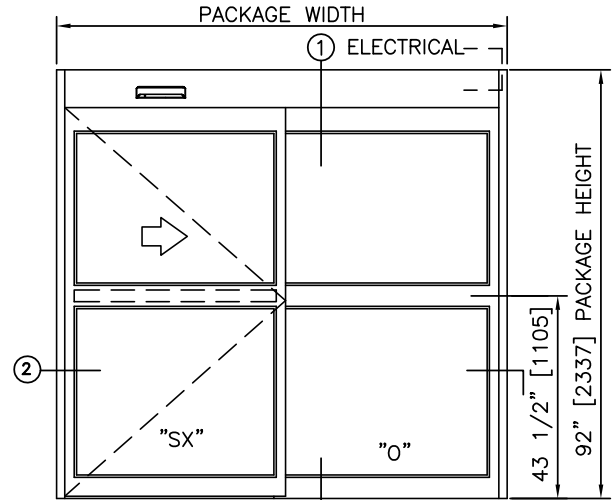
2 HORIZONTAL SECTION

TYPICAL PACKAGE DIMENSIONS (NARROW STILE)

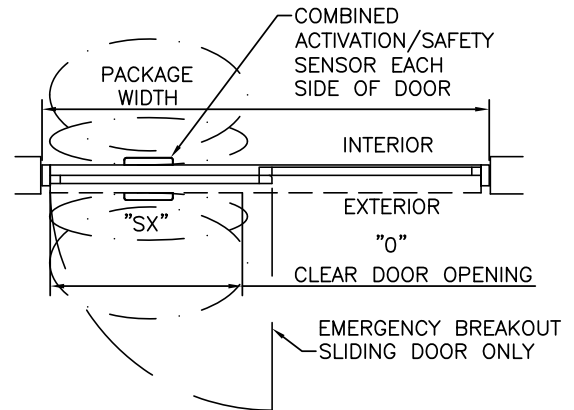
PACKAGE WIDTH	NOMINAL CLEAR DOOR OPENING	DOOR PANEL NOMINAL WIDTH	EMERGENCY BREAKOUT NOM. WIDTH
84"	35.3"	41.5"	39.0"
96"	41.3"	47.5"	45.0"
108"	47.3"	53.5"	51.0"



1 VERTICAL SECTION



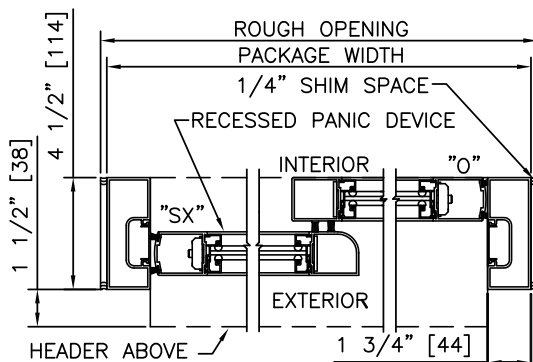
ELEVATION



PLAN

NOTES

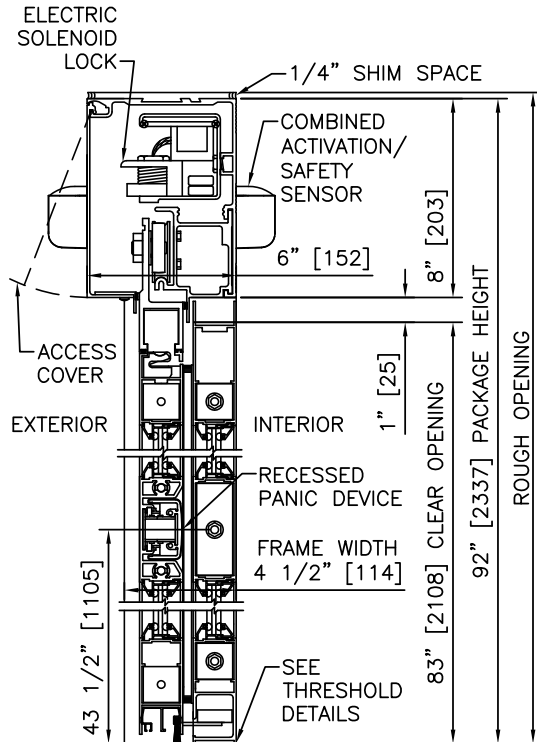
1. ELECTRICAL REQUIREMENTS: BY ELECTRICAL CONTRACTOR
120 VAC, 5 AMP MIN TO POWER OPERATOR
CONTROL CIRCUIT FROM SECURE ACTIVATION TO OPERATOR
2. ROUGH OPENING SHALL PROVIDE 1/4" [6] SHIM SPACE ON SIDES AND TOP OF PACKAGE.
3. LIMITS OF ACTIVATION AND SAFETY ZONES ARE FOR REFERENCE ONLY; SEE ANSI/BHMA A156.10 FOR DETAILED REQUIREMENTS.
4. SEE SPECIFICATIONS FOR ADDITIONAL INFORMATION.



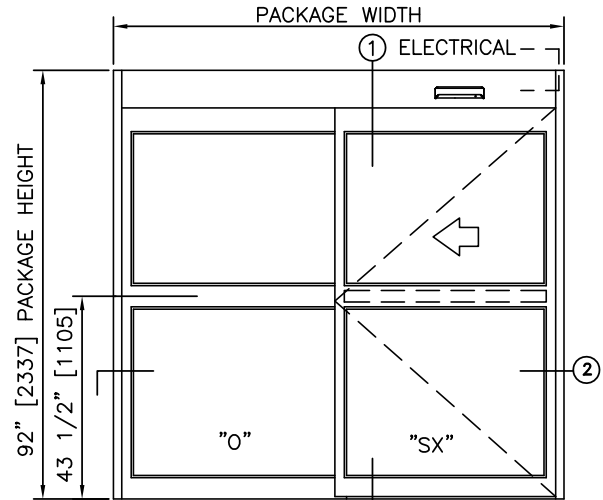
2 HORIZONTAL SECTION

TYPICAL PACKAGE DIMENSIONS (NARROW STILE)

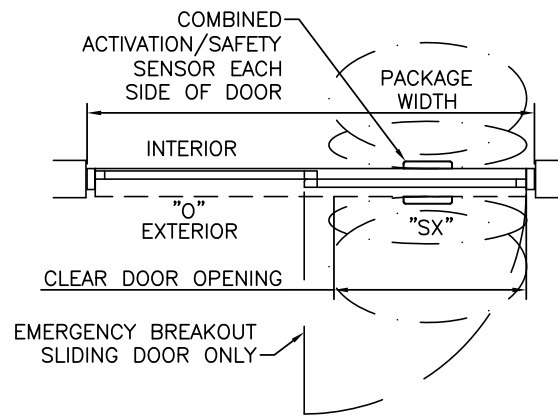
PACKAGE WIDTH	NOMINAL CLEAR DOOR OPENING	DOOR PANEL NOMINAL WIDTH	EMERGENCY BREAKOUT NOM. WIDTH
84"	35.3"	41.5"	39.0"
96"	41.3"	47.5"	45.0"
108"	47.3"	53.5"	51.0"



1 VERTICAL SECTION



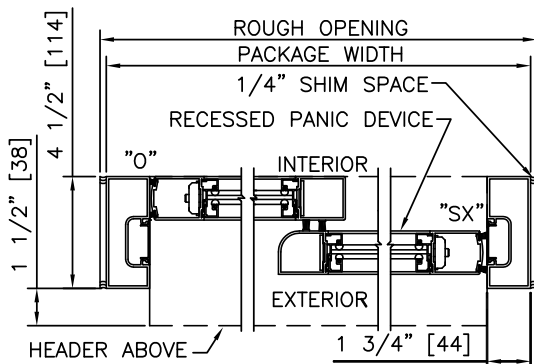
ELEVATION



PLAN

NOTES

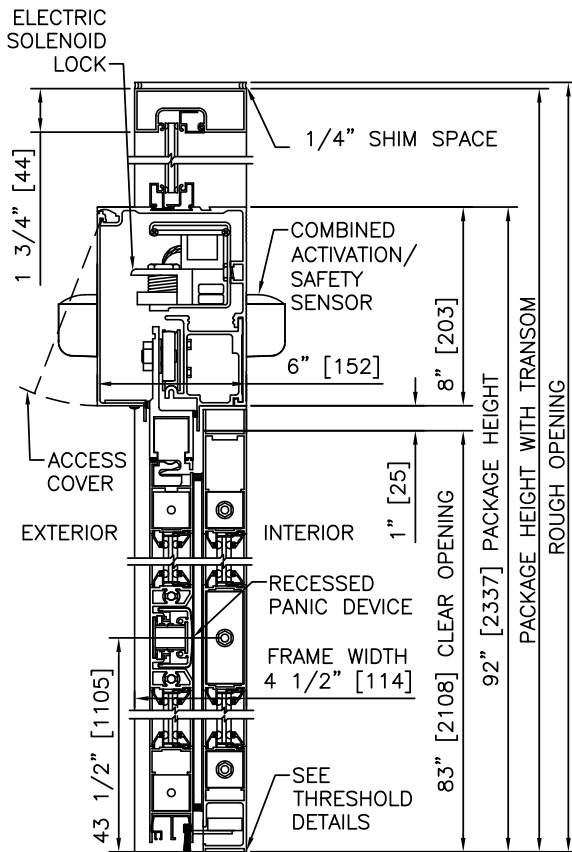
1. ELECTRICAL REQUIREMENTS: BY ELECTRICAL CONTRACTOR
120 VAC, 5 AMP MIN TO POWER OPERATOR
CONTROL CIRCUIT FROM SECURE ACTIVATION TO OPERATOR
2. ROUGH OPENING SHALL PROVIDE 1/4" [6] SHIM SPACE ON SIDES AND TOP OF PACKAGE.
3. LIMITS OF ACTIVATION AND SAFETY ZONES ARE FOR REFERENCE ONLY; SEE ANSI/BHMA A156.10 FOR DETAILED REQUIREMENTS.
4. SEE SPECIFICATIONS FOR ADDITIONAL INFORMATION.



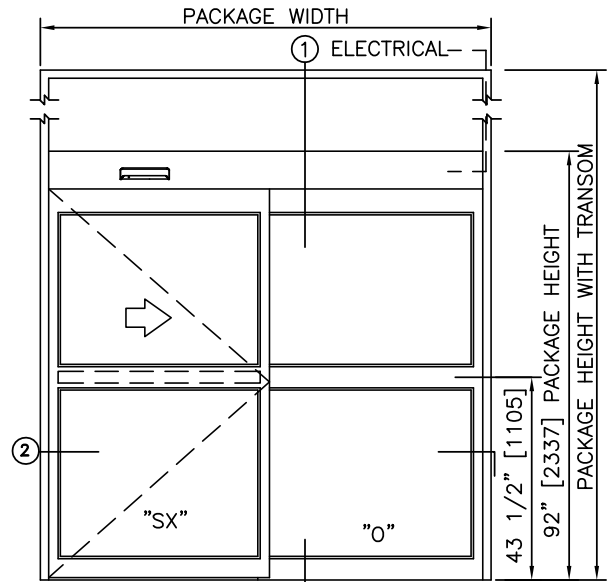
2 HORIZONTAL SECTION

TYPICAL PACKAGE DIMENSIONS (NARROW STILE)

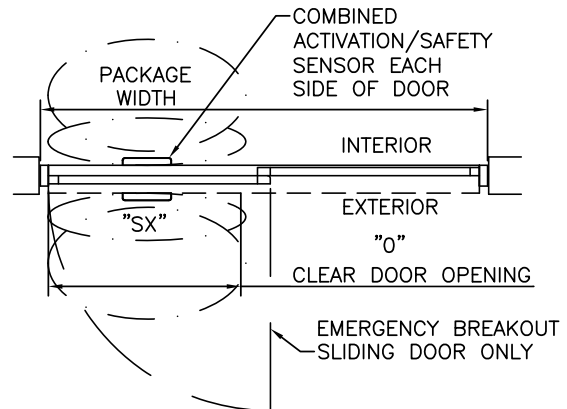
PACKAGE WIDTH	NOMINAL CLEAR DOOR OPENING	DOOR PANEL NOMINAL WIDTH	EMERGENCY BREAKOUT NOM. WIDTH
84"	35.3"	41.5"	39.0"
96"	41.3"	47.5"	45.0"
108"	47.3"	53.5"	51.0"



1 VERTICAL SECTION



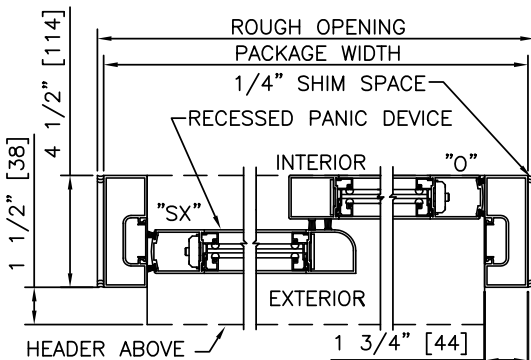
ELEVATION



PLAN

NOTES

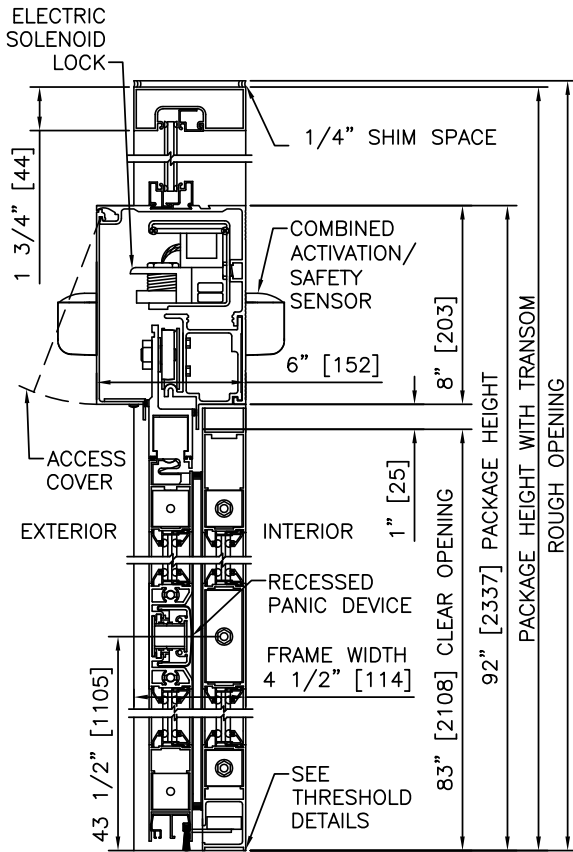
1. ELECTRICAL REQUIREMENTS: BY ELECTRICAL CONTRACTOR
120 VAC, 5 AMP MIN TO POWER OPERATOR
CONTROL CIRCUIT FROM SECURE ACTIVATION TO OPERATOR
2. ROUGH OPENING SHALL PROVIDE 1/4" [6] SHIM SPACE ON SIDES AND TOP OF PACKAGE.
3. LIMITS OF ACTIVATION AND SAFETY ZONES ARE FOR REFERENCE ONLY; SEE ANSI/BHMA A156.10 FOR DETAILED REQUIREMENTS.
4. SEE SPECIFICATIONS FOR ADDITIONAL INFORMATION.



2 HORIZONTAL SECTION

TYPICAL PACKAGE DIMENSIONS (NARROW STILE)

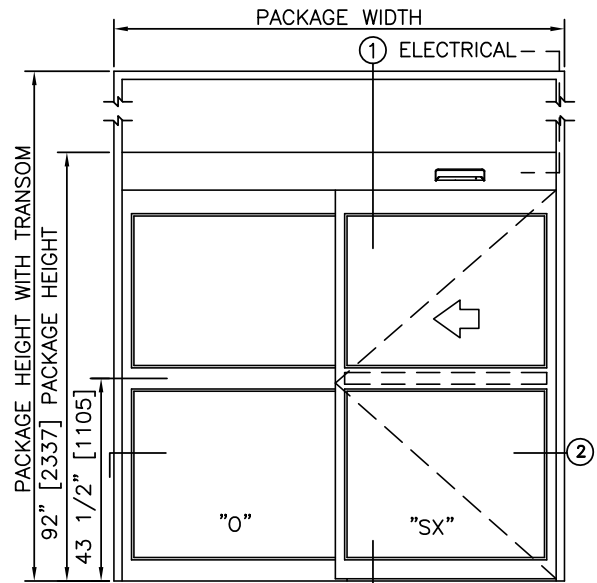
PACKAGE WIDTH	NOMINAL CLEAR DOOR OPENING	DOOR PANEL NOMINAL WIDTH	EMERGENCY BREAKOUT NOM. WIDTH
84"	35.3"	41.5"	39.0"
96"	41.3"	47.5"	45.0"
108"	47.3"	53.5"	51.0"



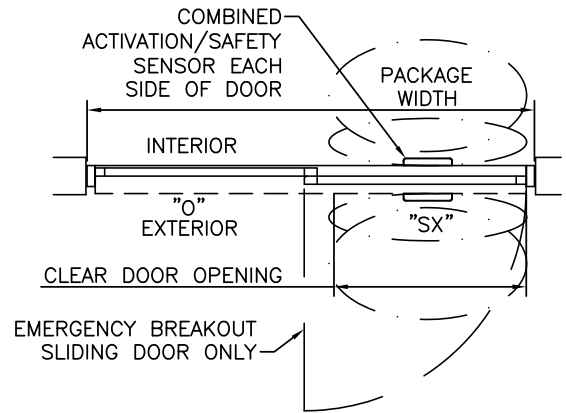
1 VERTICAL SECTION

NOTES

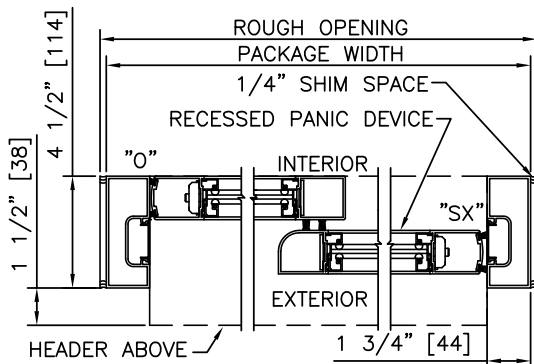
1. ELECTRICAL REQUIREMENTS: BY ELECTRICAL CONTRACTOR
120 VAC, 5 AMP MIN TO POWER OPERATOR
CONTROL CIRCUIT FROM SECURE ACTIVATION TO OPERATOR
2. ROUGH OPENING SHALL PROVIDE 1/4" [6] SHIM SPACE ON SIDES AND TOP OF PACKAGE.
3. LIMITS OF ACTIVATION AND SAFETY ZONES ARE FOR REFERENCE ONLY; SEE ANSI/BHMA A156.10 FOR DETAILED REQUIREMENTS.
4. SEE SPECIFICATIONS FOR ADDITIONAL INFORMATION.



ELEVATION



PLAN



2 HORIZONTAL SECTION

TYPICAL PACKAGE DIMENSIONS (NARROW STILE)

PACKAGE WIDTH	NOMINAL CLEAR DOOR OPENING	DOOR PANEL NOMINAL WIDTH	EMERGENCY BREAKOUT NOM. WIDTH
84"	35.3"	41.5"	39.0"
96"	41.3"	47.5"	45.0"
108"	47.3"	53.5"	51.0"

**DURA-GLIDE
2000
SERIES**

SINGLE SLIDE RIGHT HAND, SURFACE APPLIED

PROJECT INFORMATION

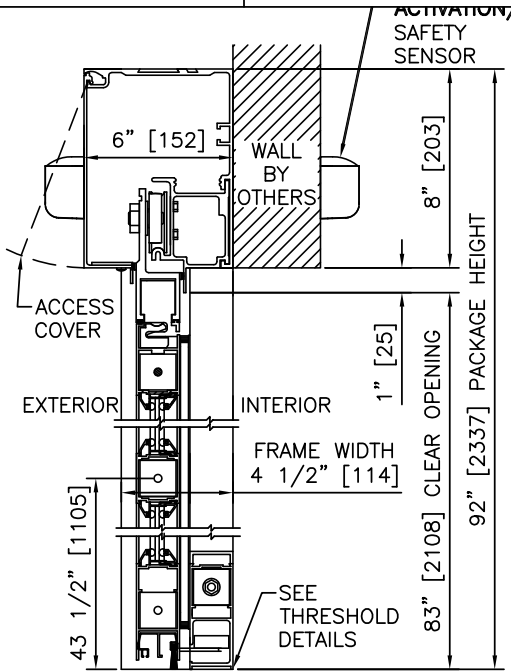
PROJECT NAME:

LOCATION:

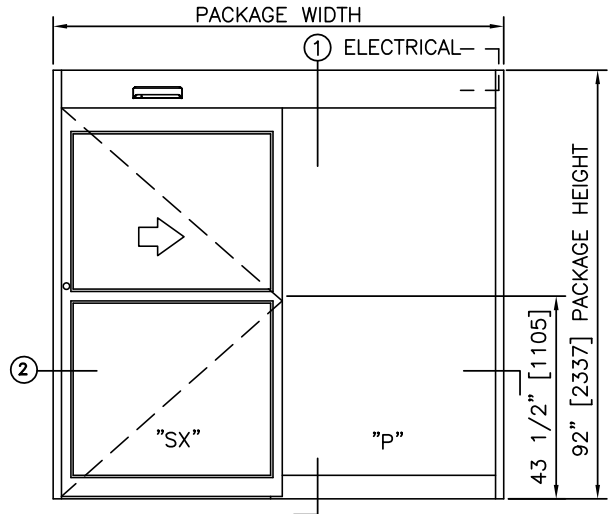
DOOR NUMBER(S):

DATE:

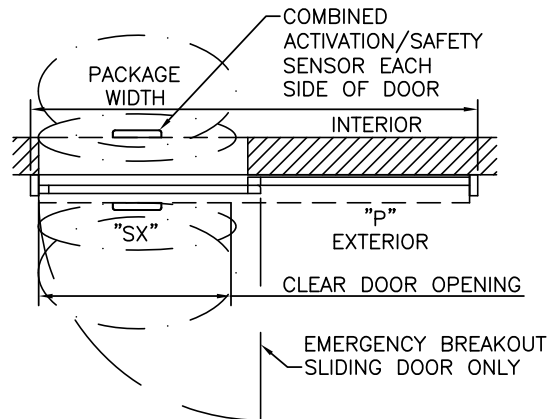
SHEET: OF



1 VERTICAL SECTION



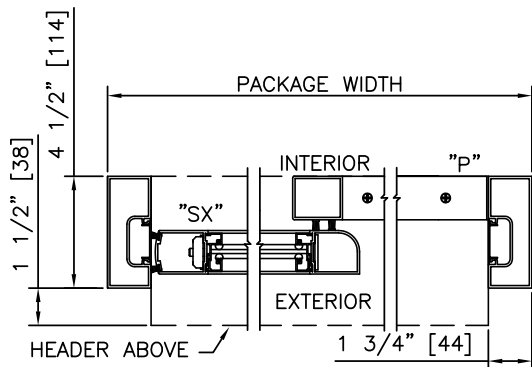
ELEVATION



PLAN

NOTES

1. ELECTRICAL REQUIREMENTS: 120 VAC, 5 AMP MIN TO POWER OPERATOR BY ELECTRICAL CONTRACTOR.
2. LIMITS OF ACTIVATION AND SAFETY ZONES ARE FOR REFERENCE ONLY; SEE ANSI/BHMA A156.10 FOR DETAILED REQUIREMENTS.
3. SEE SPECIFICATIONS FOR ADDITIONAL INFORMATION.



2 HORIZONTAL SECTION

TYPICAL PACKAGE DIMENSIONS (NARROW STILE)

PACKAGE WIDTH	NOMINAL CLEAR DOOR OPENING	DOOR PANEL NOMINAL WIDTH	EMERGENCY BREAKOUT NOM. WIDTH
84"	35.3"	41.5"	39.0"
96"	41.3"	47.5"	45.0"
108"	47.3"	53.5"	51.0"

**DURA-GLIDE
2000
SERIES**

SINGLE SLIDE LEFT HAND, SURFACE APPLIED

PROJECT INFORMATION

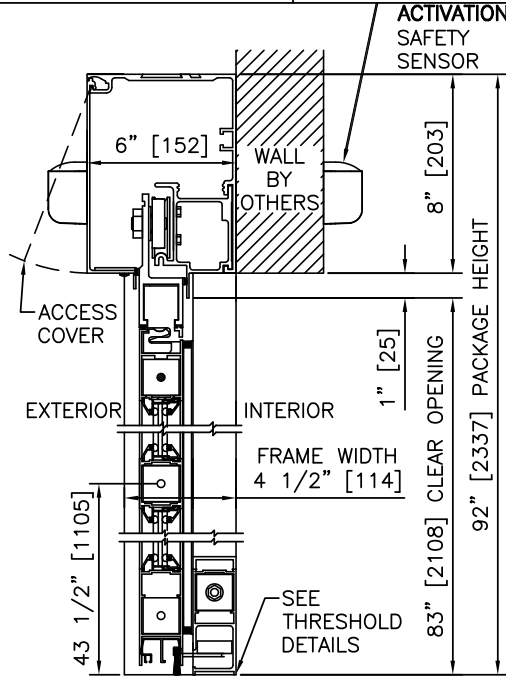
PROJECT NAME:

LOCATION:

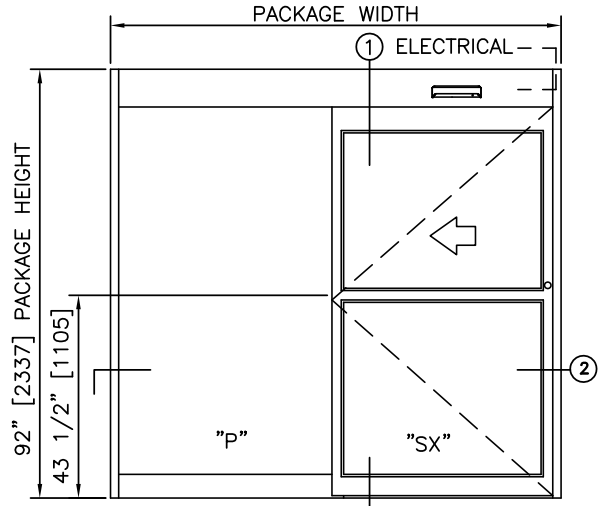
DOOR NUMBER(S):

DATE:

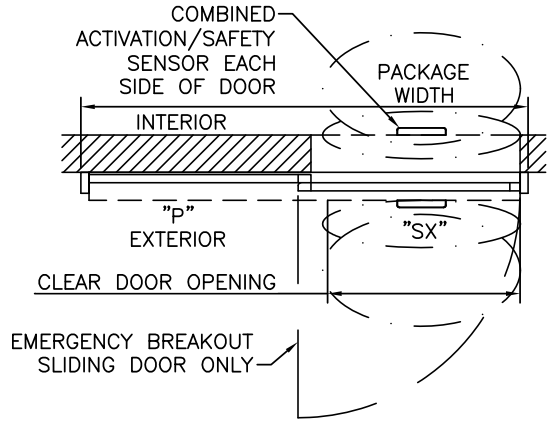
SHEET: OF



① VERTICAL SECTION



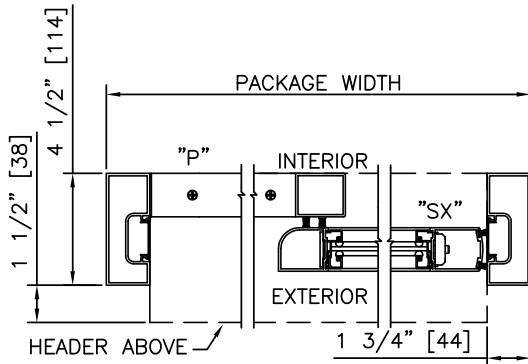
ELEVATION



PLAN

NOTES

1. ELECTRICAL REQUIREMENTS: 120 VAC, 5 AMP MIN TO POWER OPERATOR BY ELECTRICAL CONTRACTOR.
2. LIMITS OF ACTIVATION AND SAFETY ZONES ARE FOR REFERENCE ONLY; SEE ANSI/BHMA A156.10 FOR DETAILED REQUIREMENTS.
3. SEE SPECIFICATIONS FOR ADDITIONAL INFORMATION.



② HORIZONTAL SECTION

TYPICAL PACKAGE DIMENSIONS (NARROW STILE)

PACKAGE WIDTH	NOMINAL CLEAR DOOR OPENING	DOOR PANEL NOMINAL WIDTH	EMERGENCY BREAKOUT NOM. WIDTH
84"	35.3"	41.5"	39.0"
96"	41.3"	47.5"	45.0"
108"	47.3"	53.5"	51.0"

**DURA-GLIDE
2000
SERIES**

SINGLE SLIDE RIGHT HAND WITH ACCESS CONTROL, RECESSED, SURFACE APPLIED

PROJECT INFORMATION

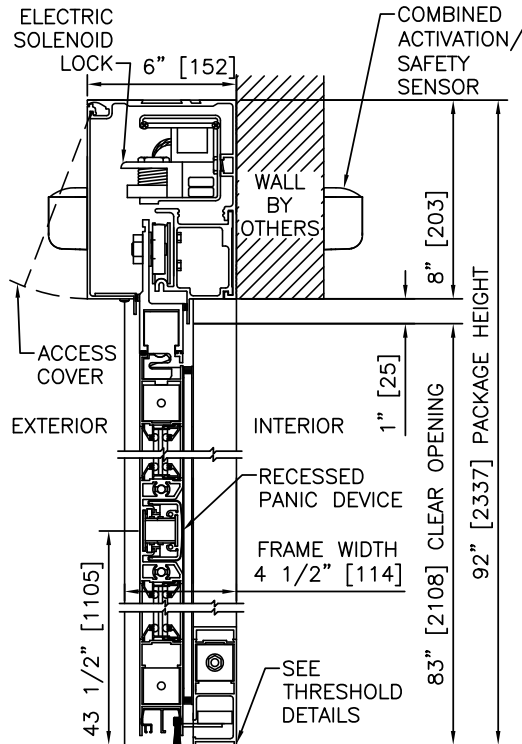
PROJECT NAME:

LOCATION:

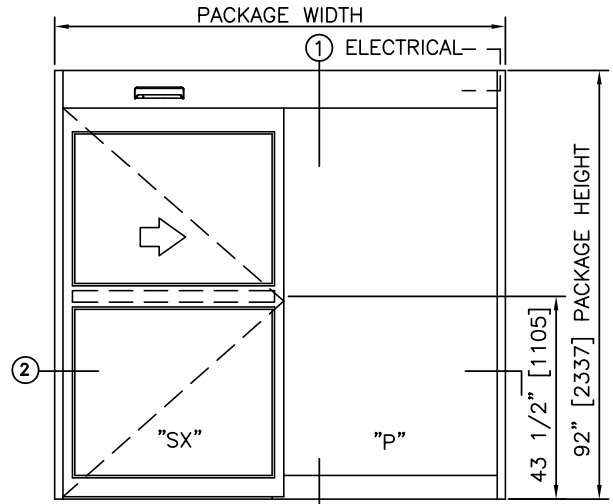
DOOR NUMBER(S):

DATE:

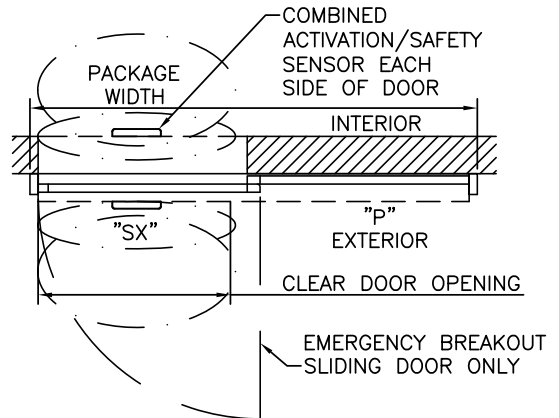
SHEET: OF



1 VERTICAL SECTION



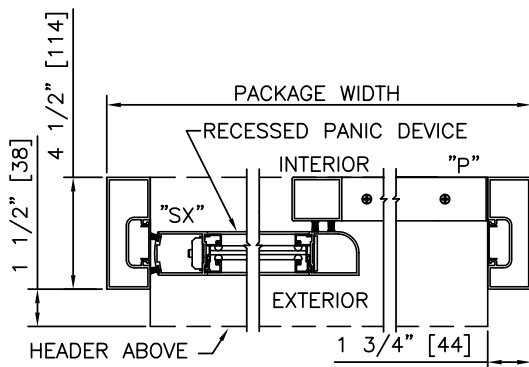
ELEVATION



PLAN

NOTES

1. ELECTRICAL REQUIREMENTS: BY ELECTRICAL CONTRACTOR
120 VAC, 5 AMP MIN TO POWER OPERATOR
CONTROL CIRCUIT FROM SECURE ACTIVATION TO OPERATOR
2. LIMITS OF ACTIVATION AND SAFETY ZONES ARE FOR REFERENCE ONLY; SEE ANSI/BHMA A156.10 FOR DETAILED REQUIREMENTS.
3. SEE SPECIFICATIONS FOR ADDITIONAL INFORMATION.



2 HORIZONTAL SECTION

TYPICAL PACKAGE DIMENSIONS (NARROW STILE)

PACKAGE WIDTH	NOMINAL CLEAR DOOR OPENING	DOOR PANEL NOMINAL WIDTH	EMERGENCY BREAKOUT NOM. WIDTH
84"	35.3"	41.5"	39.0"
96"	41.3"	47.5"	45.0"
108"	47.3"	53.5"	51.0"

**DURA-GLIDE
2000
SERIES**

SINGLE SLIDE LEFT HAND WITH ACCESS CONTROL, RECESSED, SURFACE APPLIED

PROJECT INFORMATION

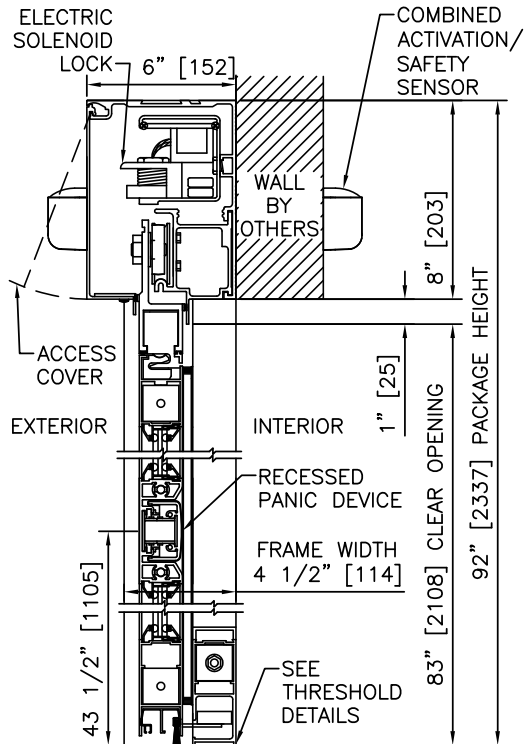
PROJECT NAME:

LOCATION:

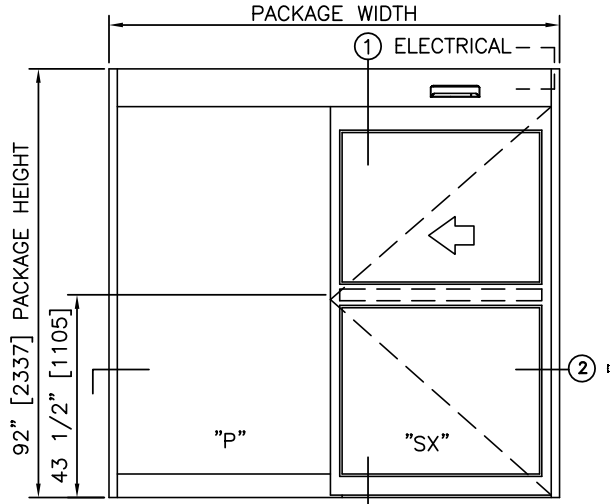
DOOR NUMBER(S):

DATE:

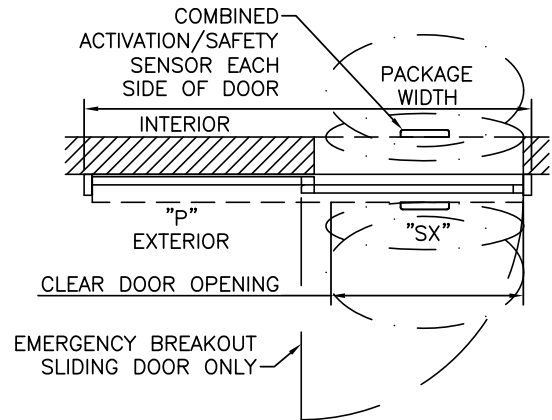
SHEET: OF



1 VERTICAL SECTION



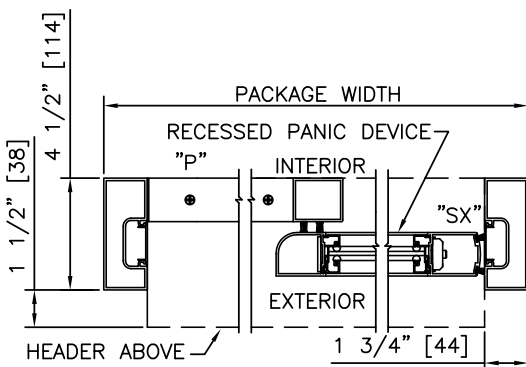
ELEVATION



PLAN

NOTES

1. ELECTRICAL REQUIREMENTS: BY ELECTRICAL CONTRACTOR
120 VAC, 5 AMP MIN TO POWER OPERATOR
CONTROL CIRCUIT FROM SECURE ACTIVATION TO OPERATOR
2. LIMITS OF ACTIVATION AND SAFETY ZONES ARE FOR REFERENCE ONLY; SEE ANSI/BHMA A156.10 FOR DETAILED REQUIREMENTS.
3. SEE SPECIFICATIONS FOR ADDITIONAL INFORMATION.



2 HORIZONTAL SECTION

TYPICAL PACKAGE DIMENSIONS (NARROW STILE)

PACKAGE WIDTH	NOMINAL CLEAR DOOR OPENING	DOOR PANEL NOMINAL WIDTH	EMERGENCY BREAKOUT NOM. WIDTH
84"	35.3"	41.5"	39.0"
96"	41.3"	47.5"	45.0"
108"	47.3"	53.5"	51.0"